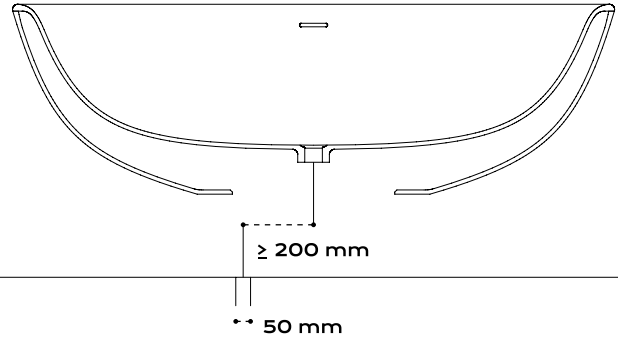


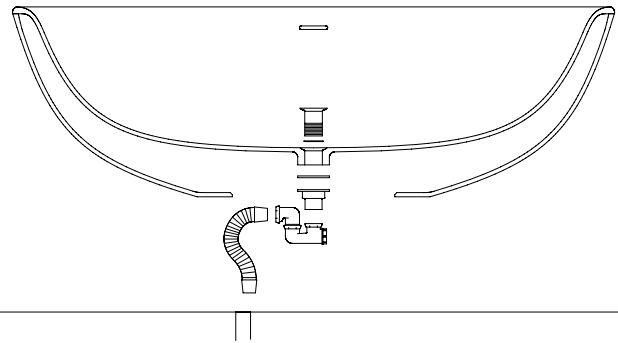
OXBOW BATHTUB

INSTALLATION INSTRUCTIONS

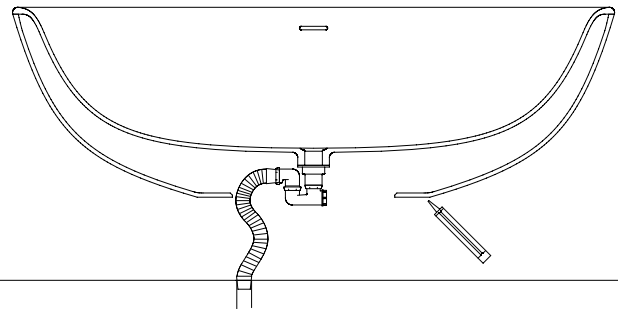
1



2



3



4

